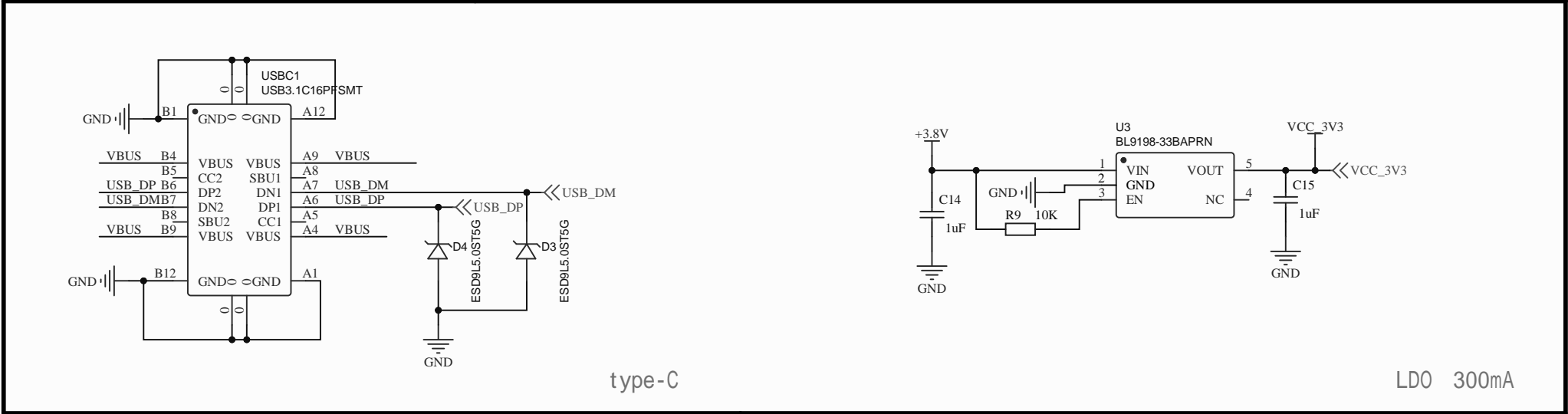
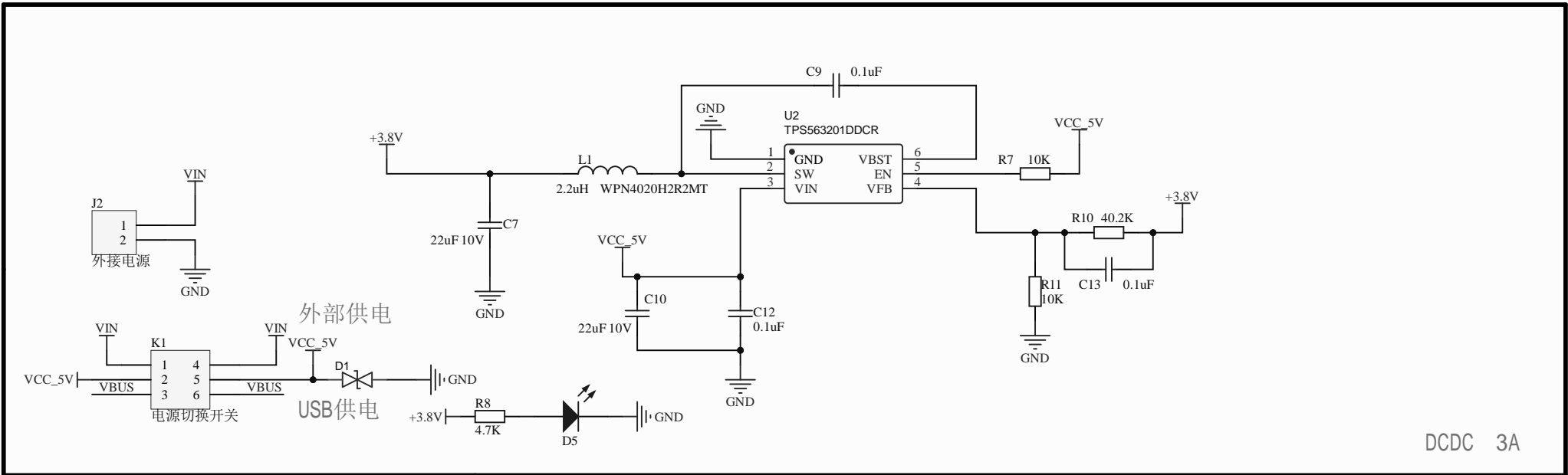
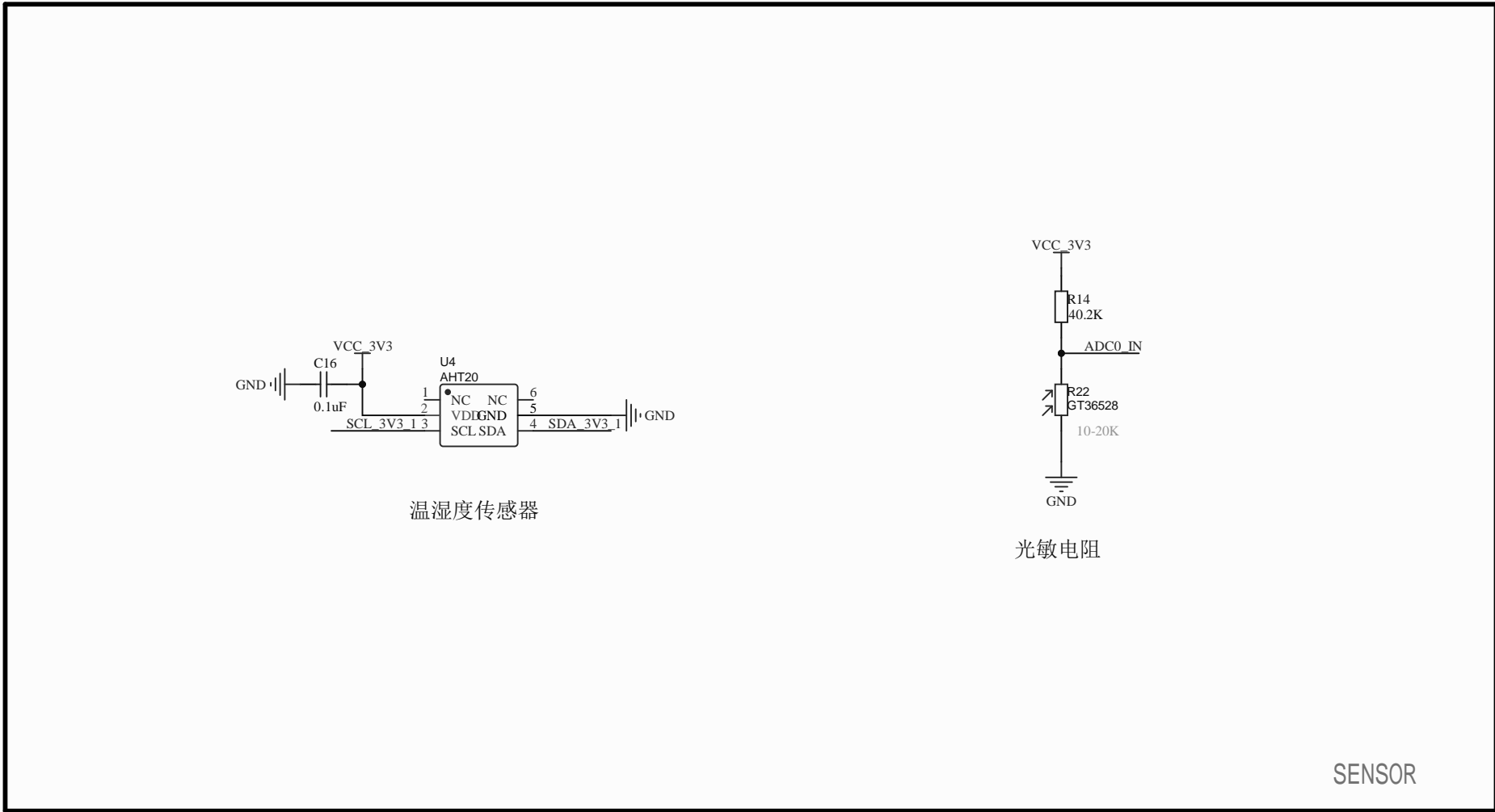


Title		EC600X	
Size	Number	Revision	
A2			
Date	3-31-2023	Sheet of	
File	G:\项目\1.1.EC600S.SchDoc	Drawn By:	



Title		
Size	Number	Revision
A4		
Date:	3-31-2023	Sheet of
File:	G:\项目\...\2.POWER.SchDoc	Drawn By:

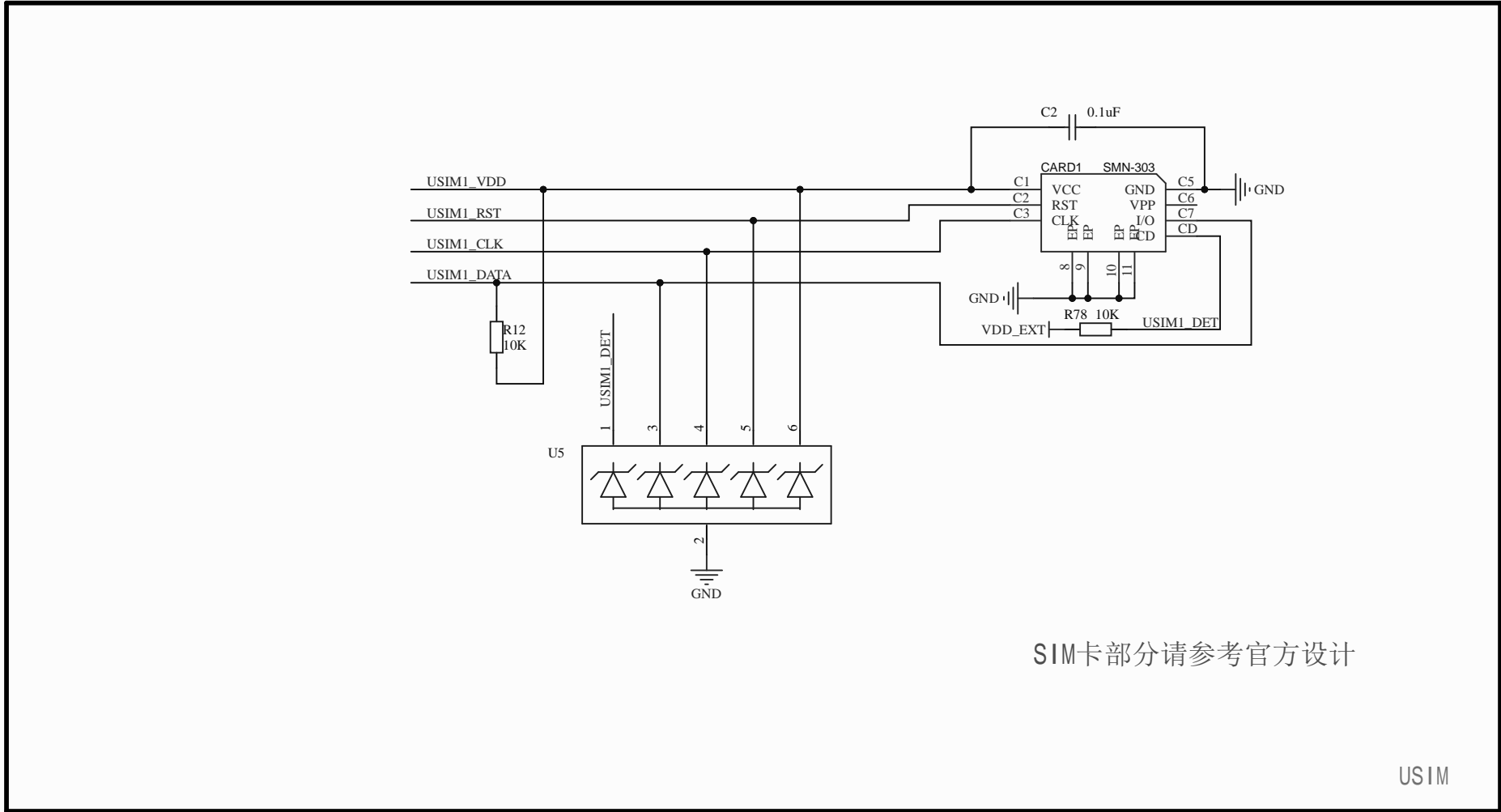


温湿度传感器

光敏电阻

SENSOR

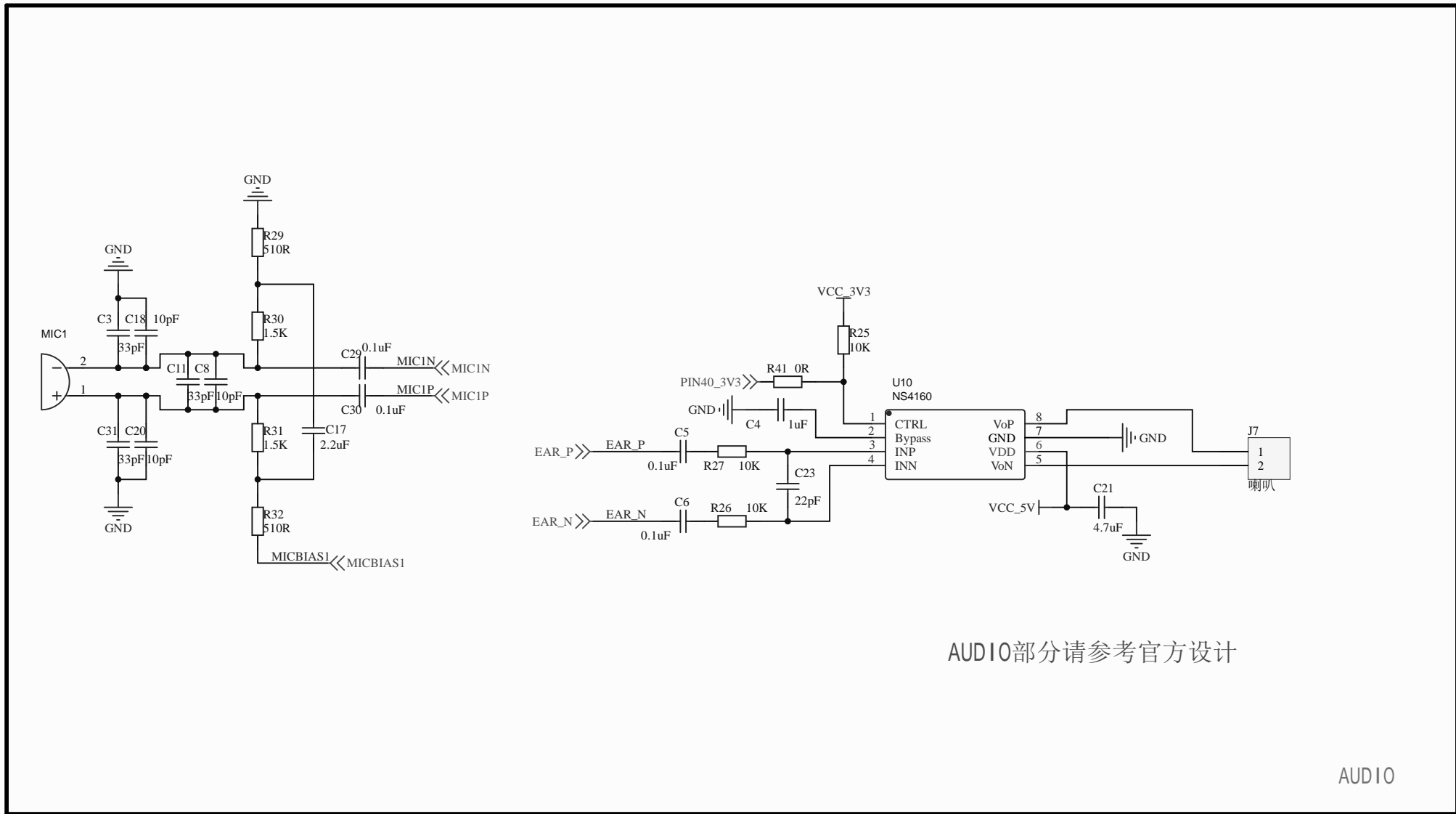
Title		
Size	Number	Revision
A4		
Date:	3-31-2023	Sheet of
File:	G:\项目\...\3.SENSOR+EEPROM.SchDoc Drawn By:	



SIM卡部分请参考官方设计

USIM

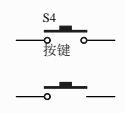
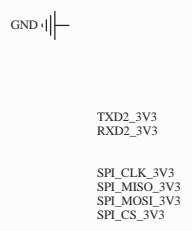
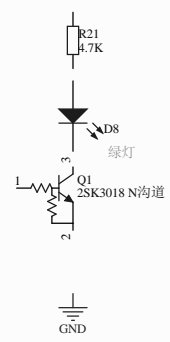
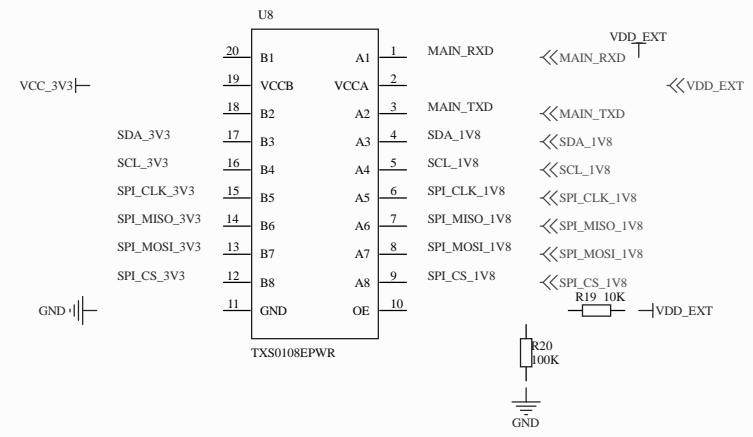
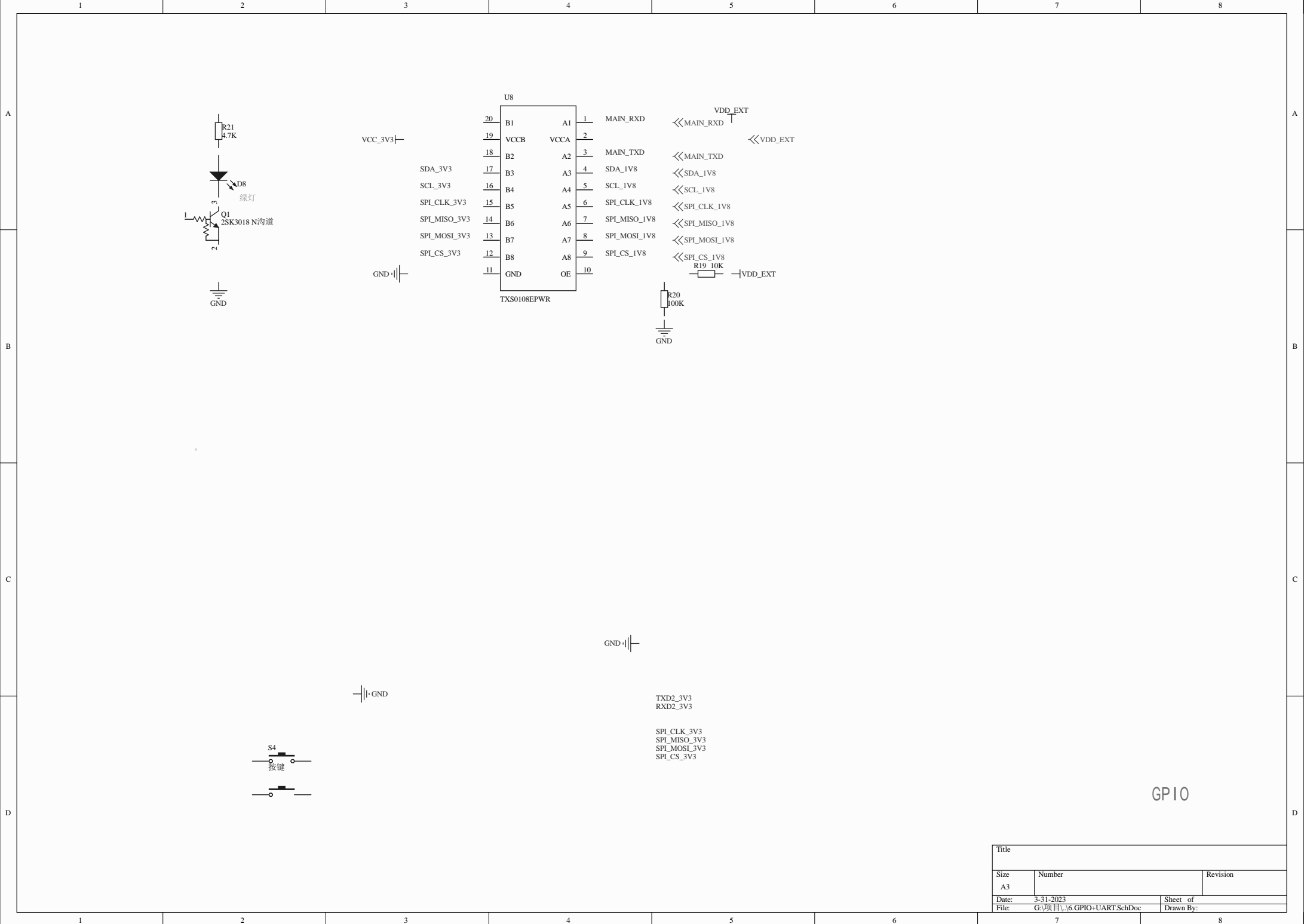
Title		
Size	Number	Revision
A4		
Date:	3-31-2023	Sheet of
File:	G:\项目\..\4.SIM-CARD.SchDoc	Drawn By:



AUDIO部分请参考官方设计

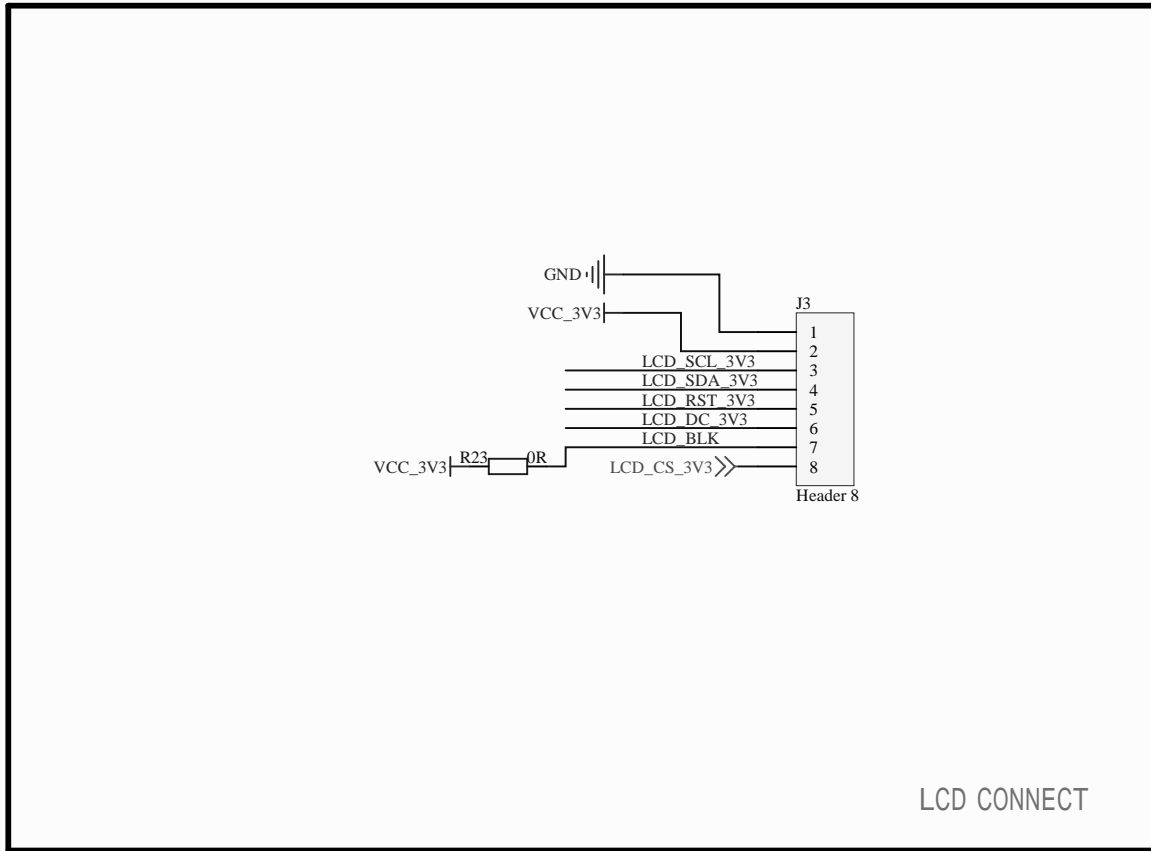
AUDIO

Title		
Size	Number	Revision
A4		
Date:	3-31-2023	Sheet of
File:	G:\项目\...\5.AUDIO.SchDoc	Drawn By:



GPIO

Title		
Size A3	Number	Revision
Date: 3-31-2023	Sheet of	
File: G:\项目\6.GPIO+UART.SchDoc	Drawn By:	



LCD CONNECT

Title		
Size A4	Number	Revision
Date:	3-31-2023	Sheet of
File:	G:\项目\...\7.LCM.SchDoc	Drawn By: