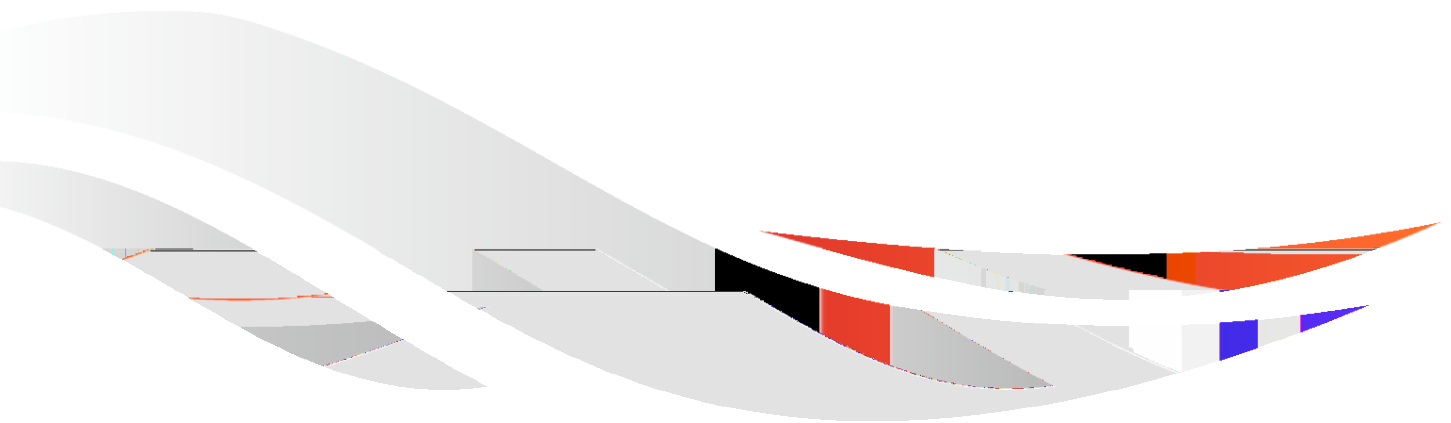


EVB_EC600X、 EC800X

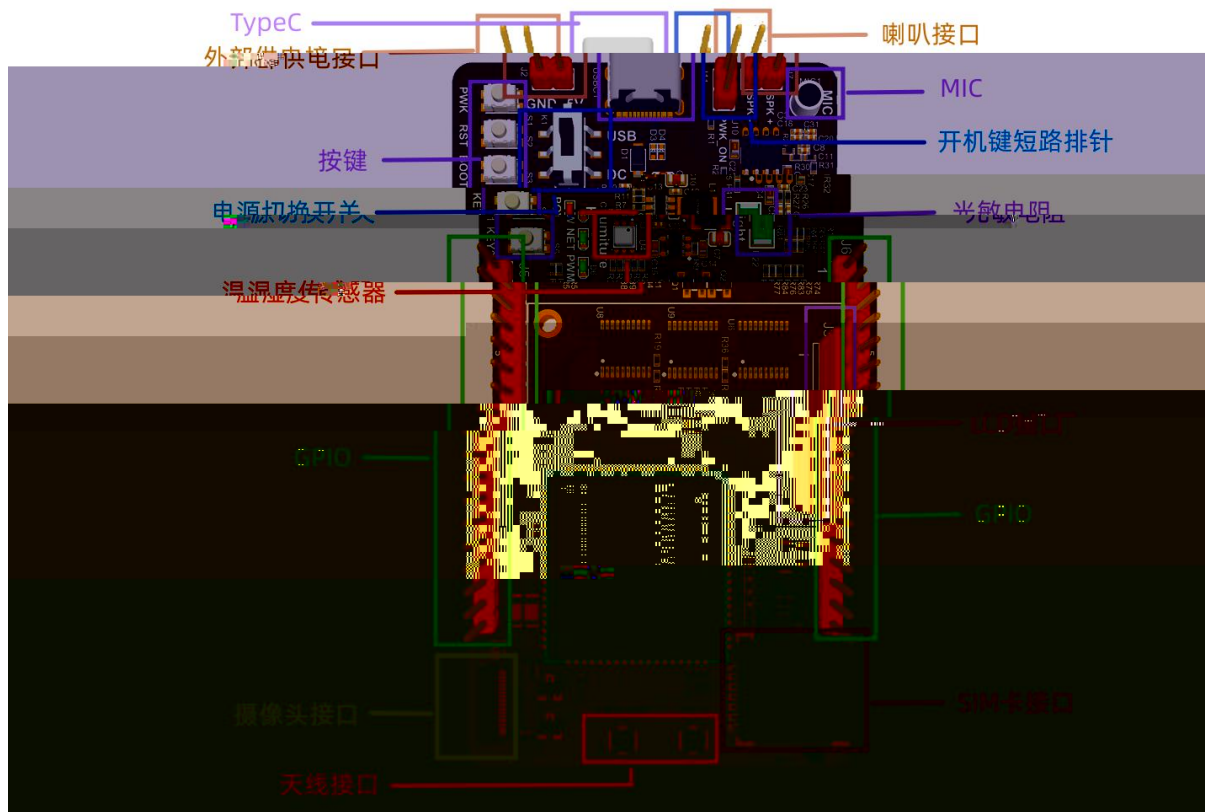
EVB 0X、 E800X

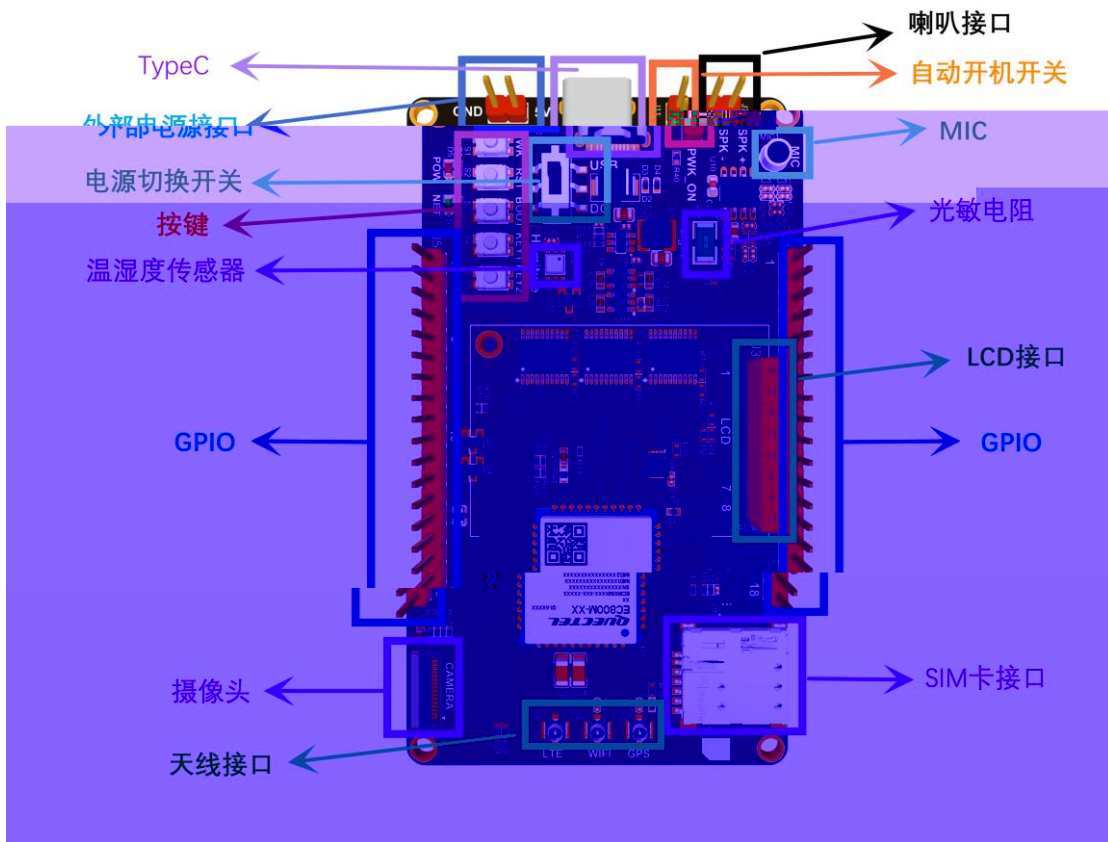
3.2

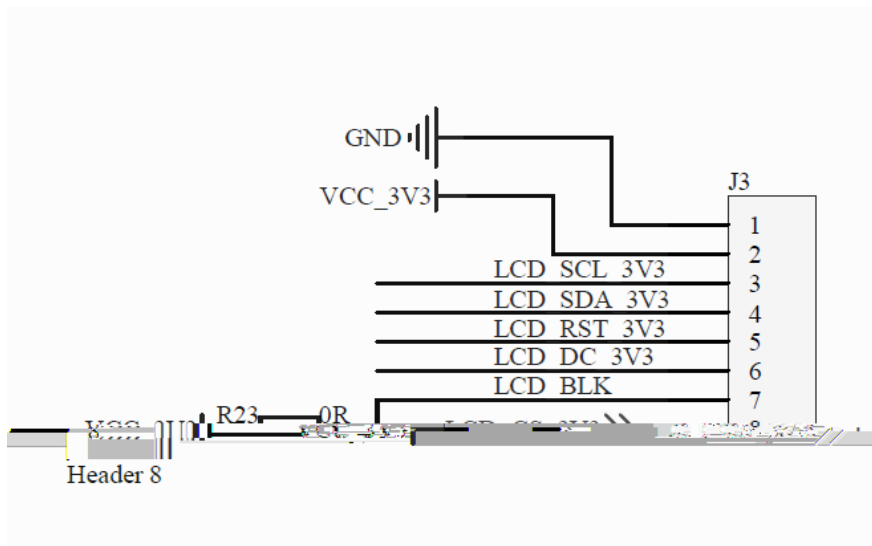
11 07

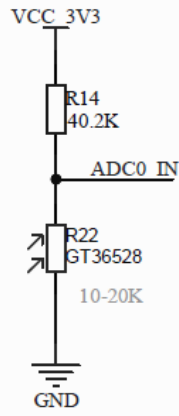


EC600X- EC600 EC600N EC600U EC600M
EC800X- EC800 EC800M EC800E
EVB-
V3.X-

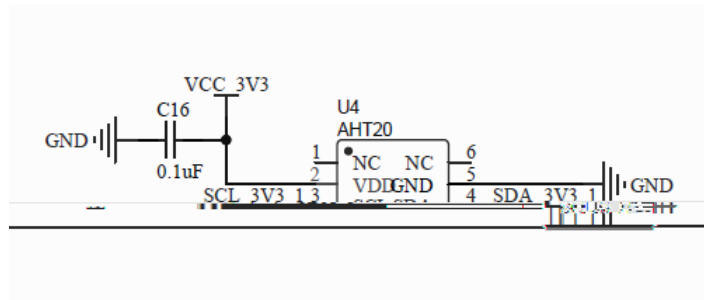
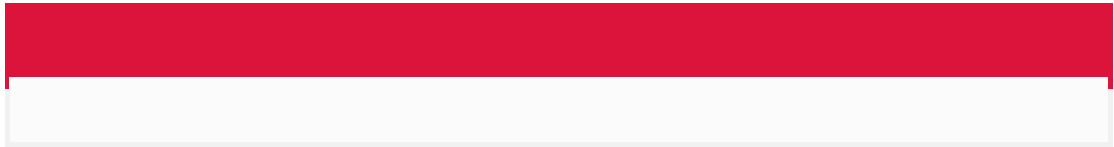


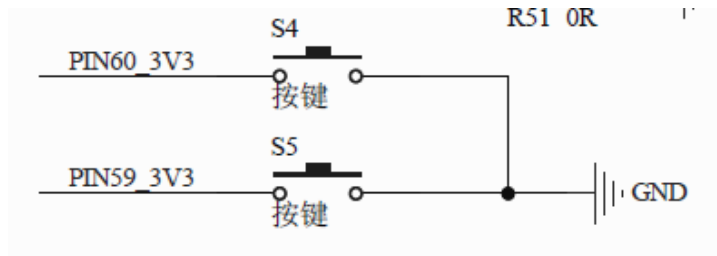
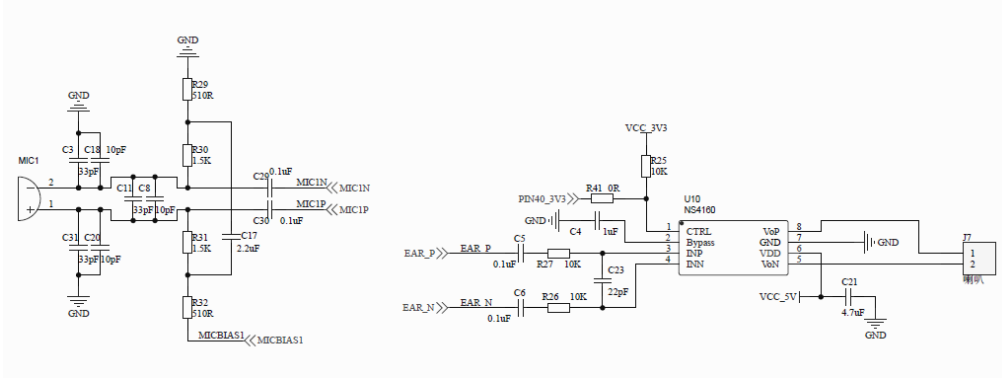




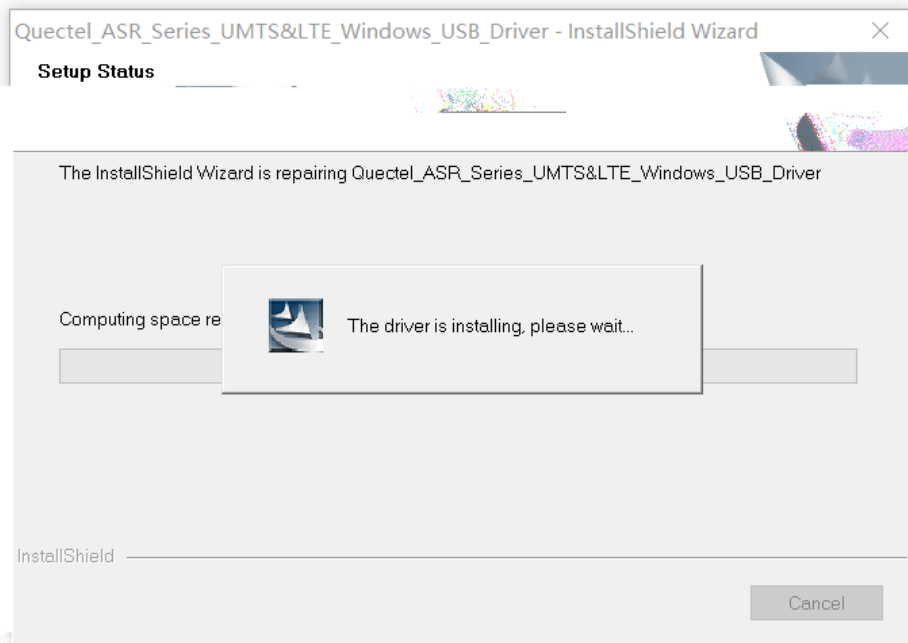


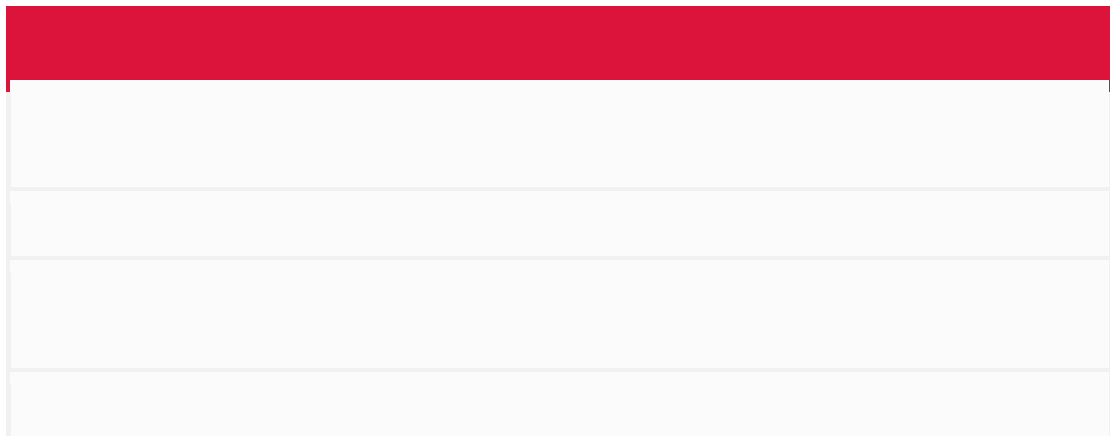
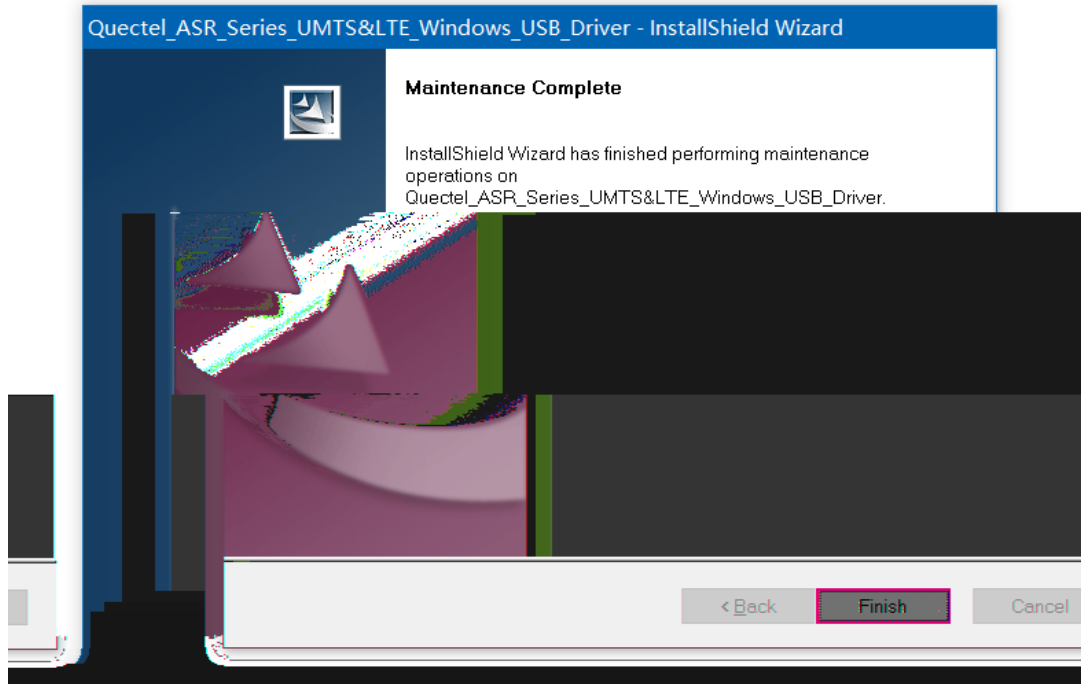
光敏电阻





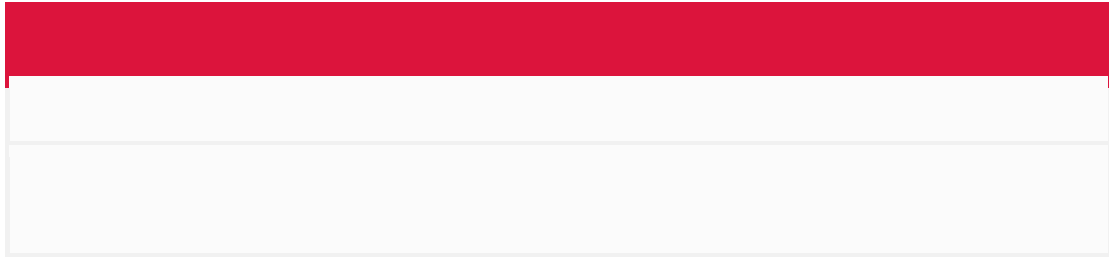
setup.exe



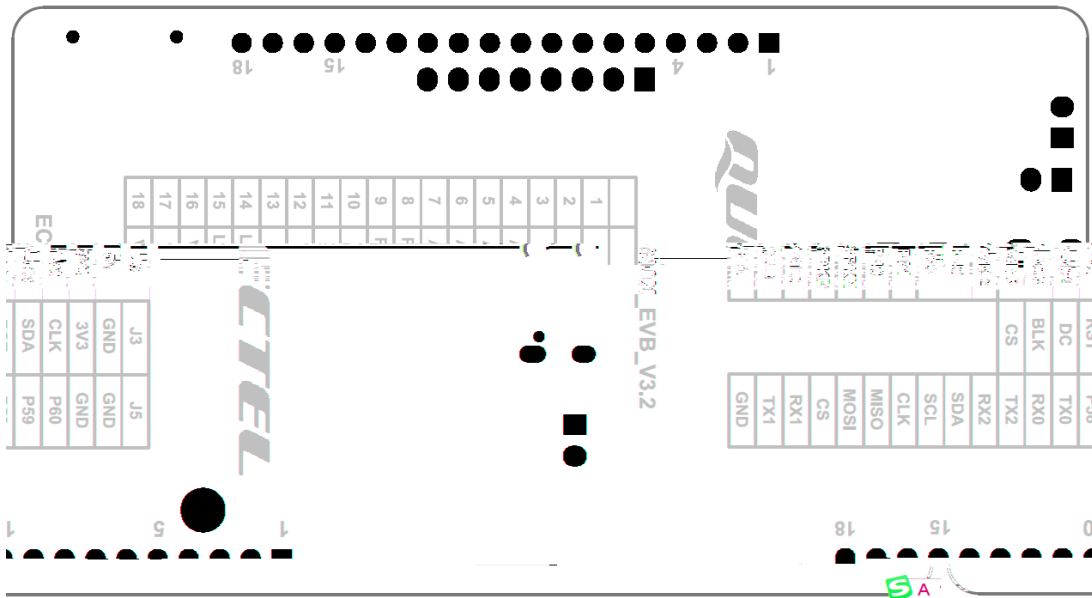
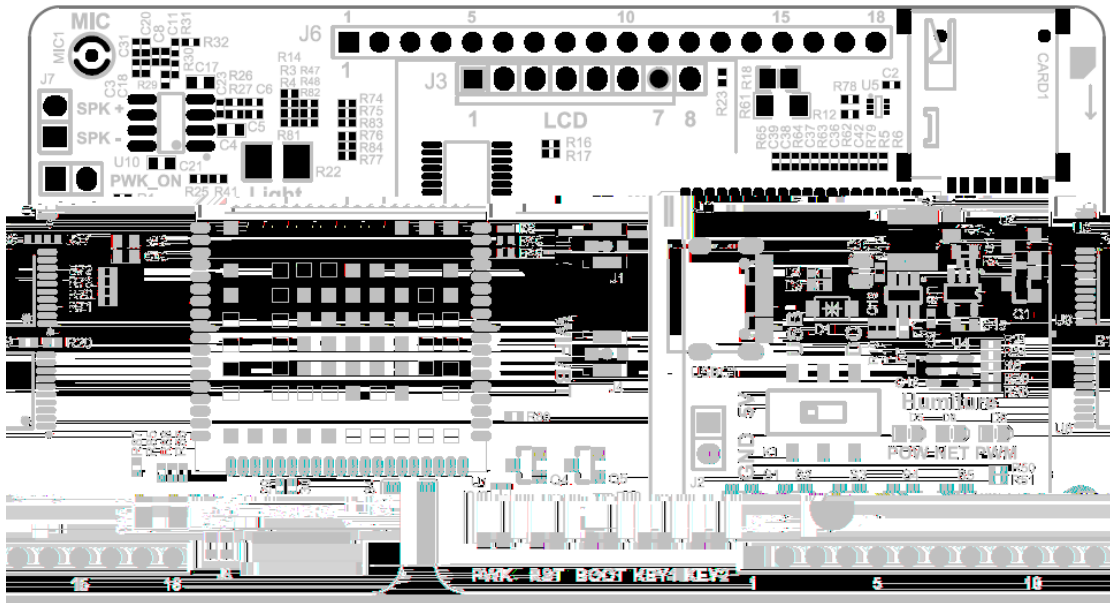


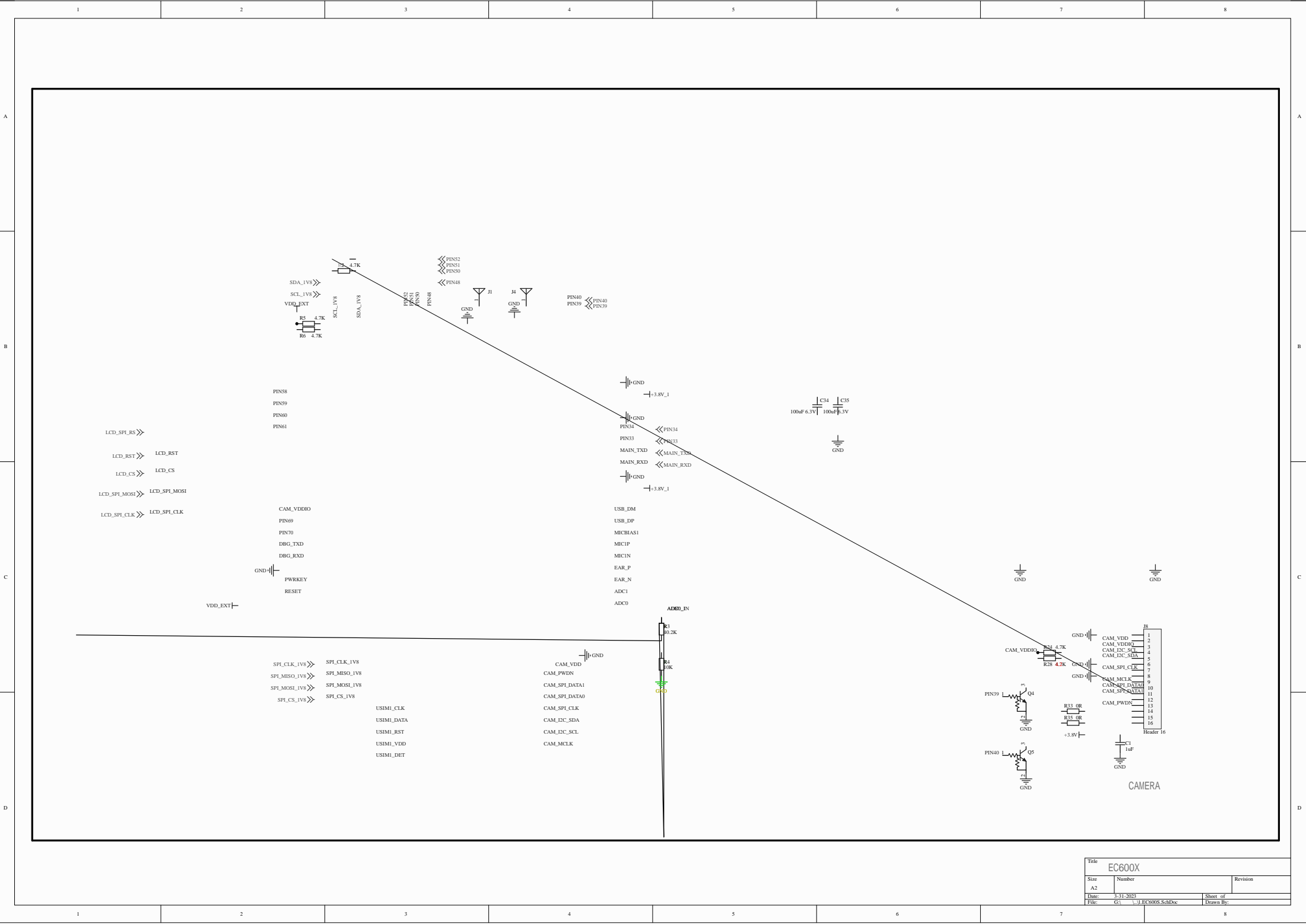
Quectel USB AT Port (COMx)
Quectel USB DIAG Port (COMx)
Quectel USB MI05 COM Port (COMx)

- Quectel USB AT Port (COMx)
- Quectel USB AP Log Port (COMx)
- Quectel USB CP Log Port (COMx)
- Quectel USB Diag Port (COMx)
- Quectel USB MOS Port (COMx)
- Quectel Modem (COMx)
- Quectel USB Serial-1 Port (COMx)
- Quectel USB Serial-2 Port (COMx)









LCD_SPL_RS >>
 LCD_RST >> LCD_RST
 LCD_CS >> LCD_CS
 LCD_SPL_MOSI >> LCD_SPL_MOSI
 LCD_SPL_CLK >> LCD_SPL_CLK

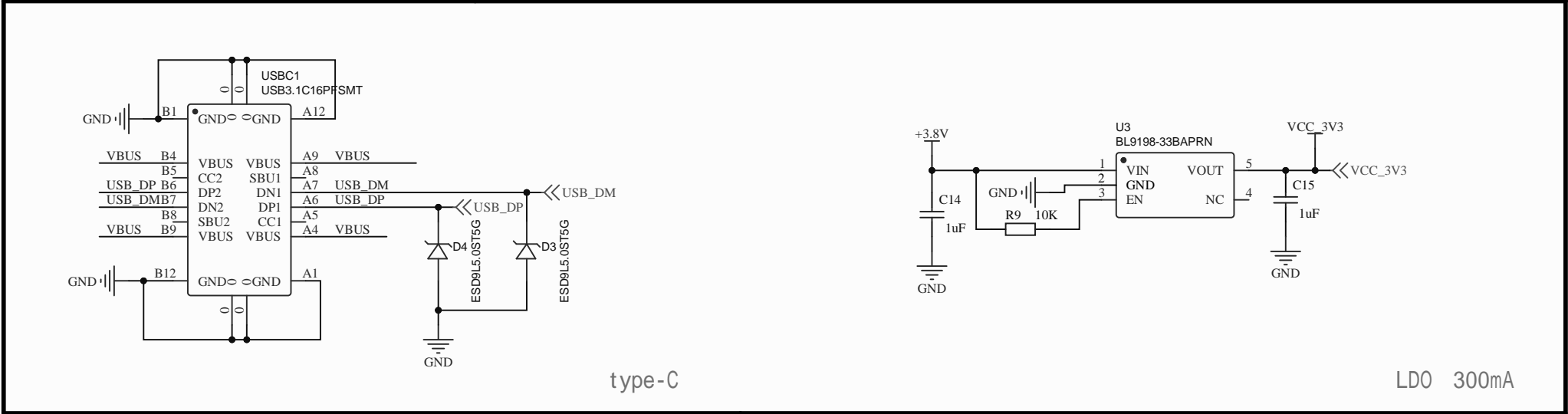
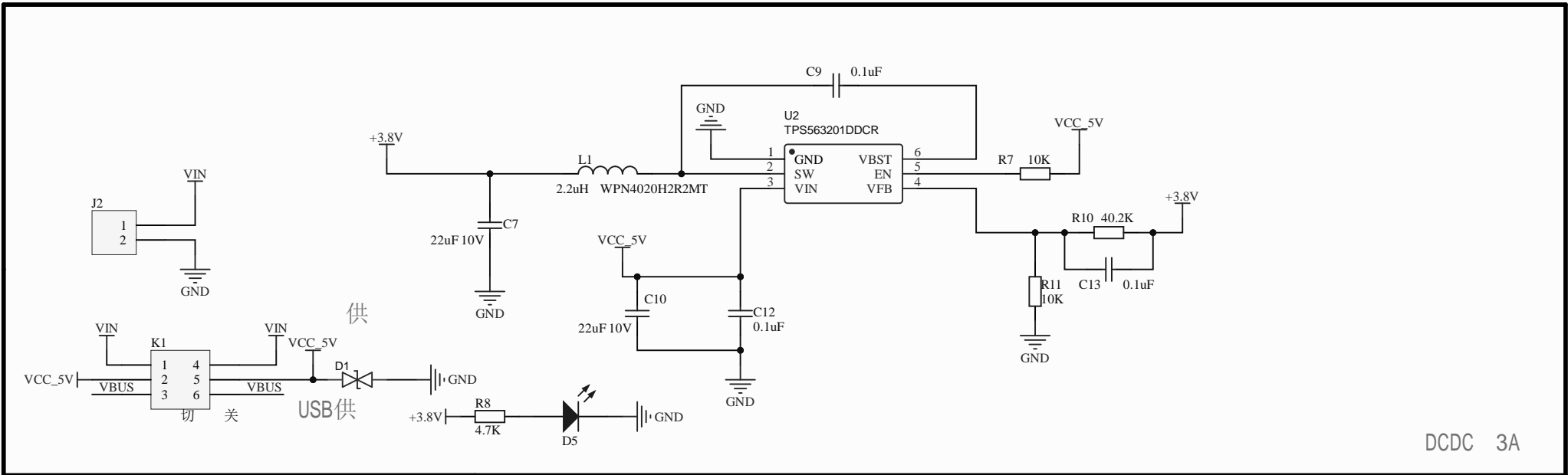
CAM_VDDIO
 PIN69
 PIN70
 DBG_TXD
 DBG_RXD
 GND
 PWRKEY
 RESET
 VDD_EXT

SPL_CLK_IV8 >> SPL_CLK_IV8
 SPL_MISO_IV8 >> SPL_MISO_IV8
 SPL_MOSI_IV8 >> SPL_MOSI_IV8
 SPL_CS_IV8 >> SPL_CS_IV8
 USIM1_CLK
 USIM1_DATA
 USIM1_RST
 USIM1_VDD
 USIM1_DET

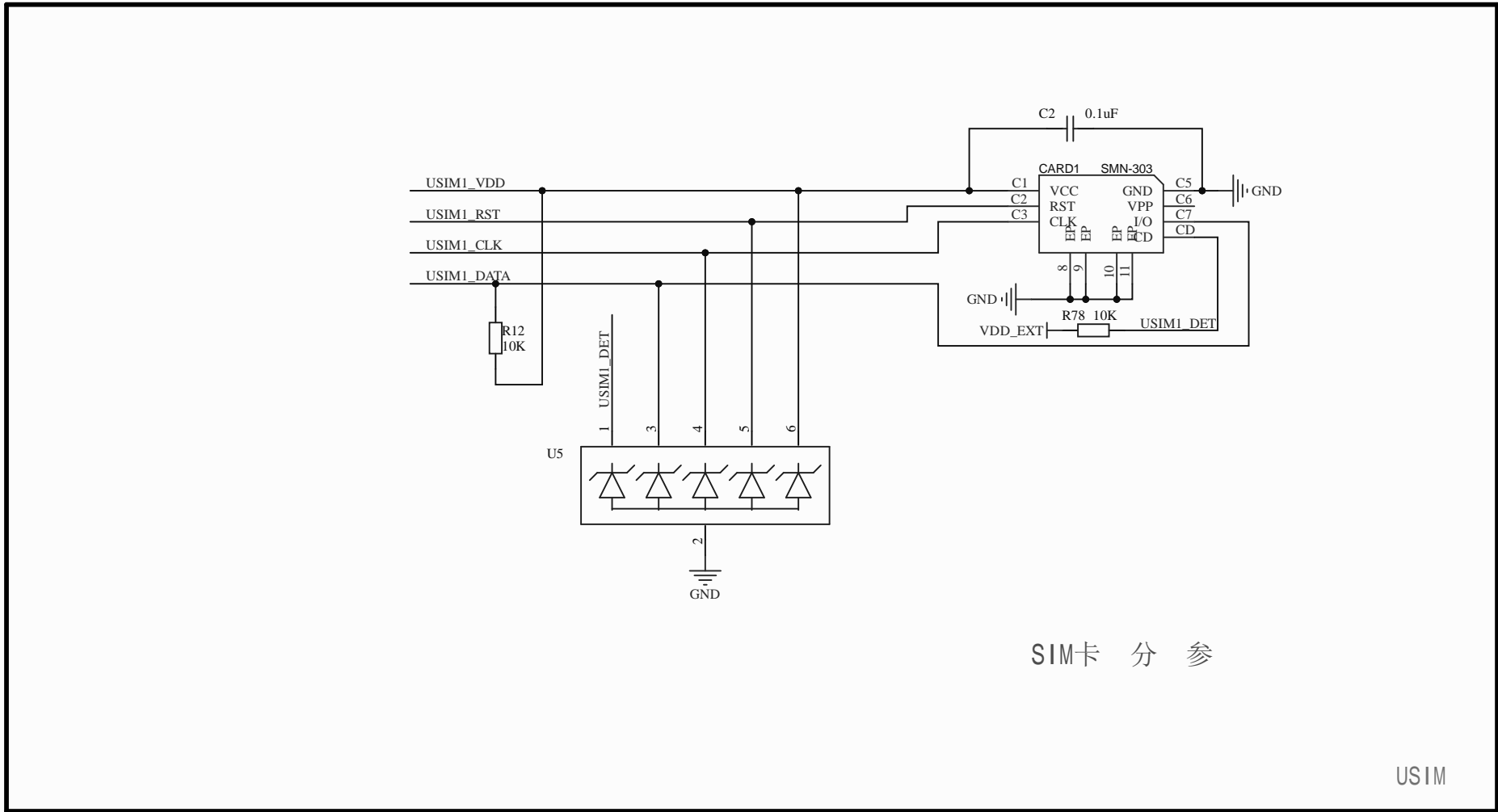
CAM_VDD
 CAM_PWDN
 CAM_SPL_DATA1
 CAM_SPL_DATA0
 CAM_SPL_CLK
 CAM_I2C_SDA
 CAM_I2C_SCL
 CAM_MCLK

USB_DM
 USB_DP
 MICBIAS1
 MICIP
 MICIN
 EAR_P
 EAR_N
 ADC1
 ADC0

Title EC600X		
Size A2	Number	Revision
Date 3-31-2023	Sheet of	
File G:_1\EC600S.SchDoc	Sheet of	Drawn By:



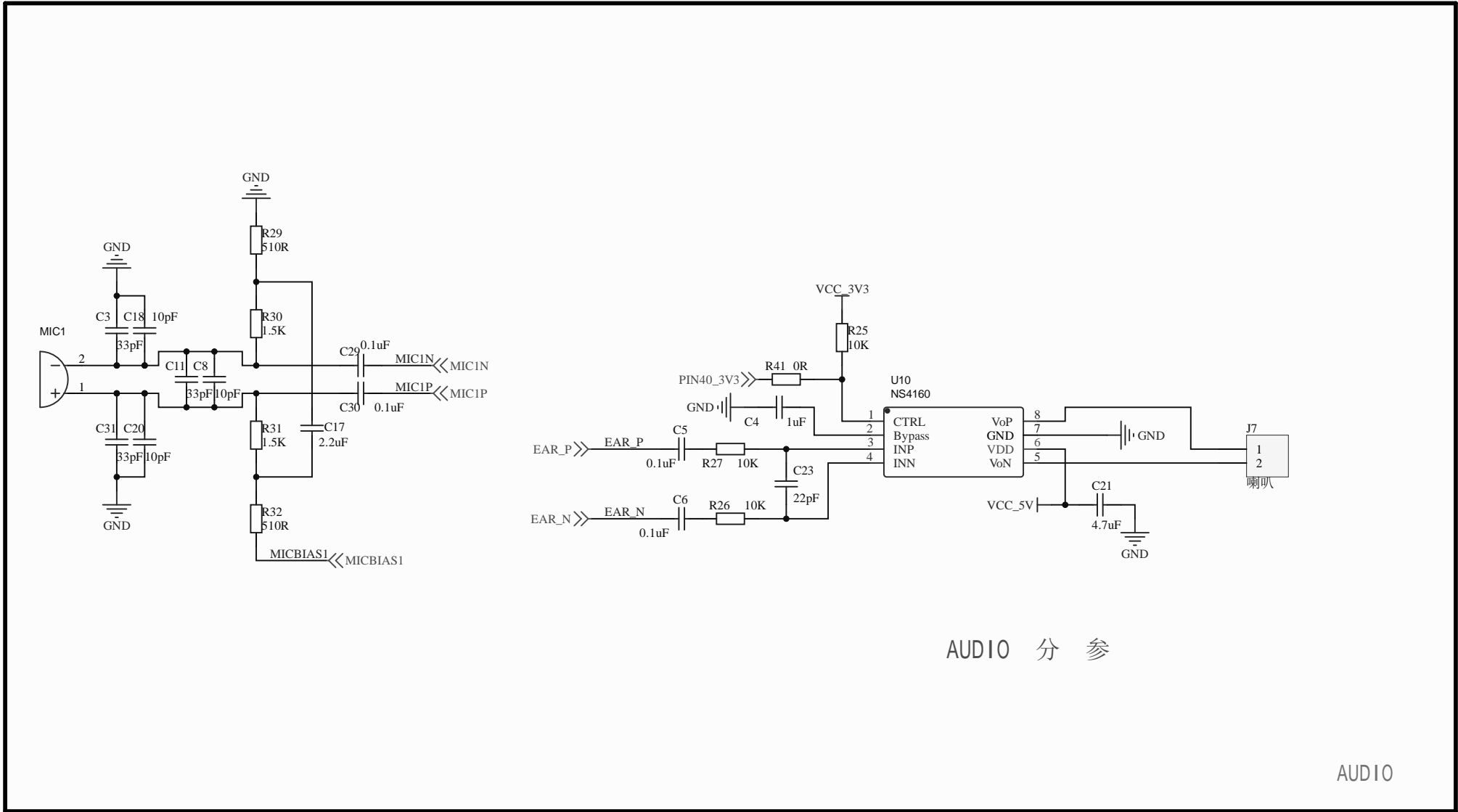
Title		
Size A4	Number	Revision
Date: 3-31-2023	Sheet of	
File: G:\...\2.POWER.SchDoc	Drawn By:	



SIM卡分参

USIM

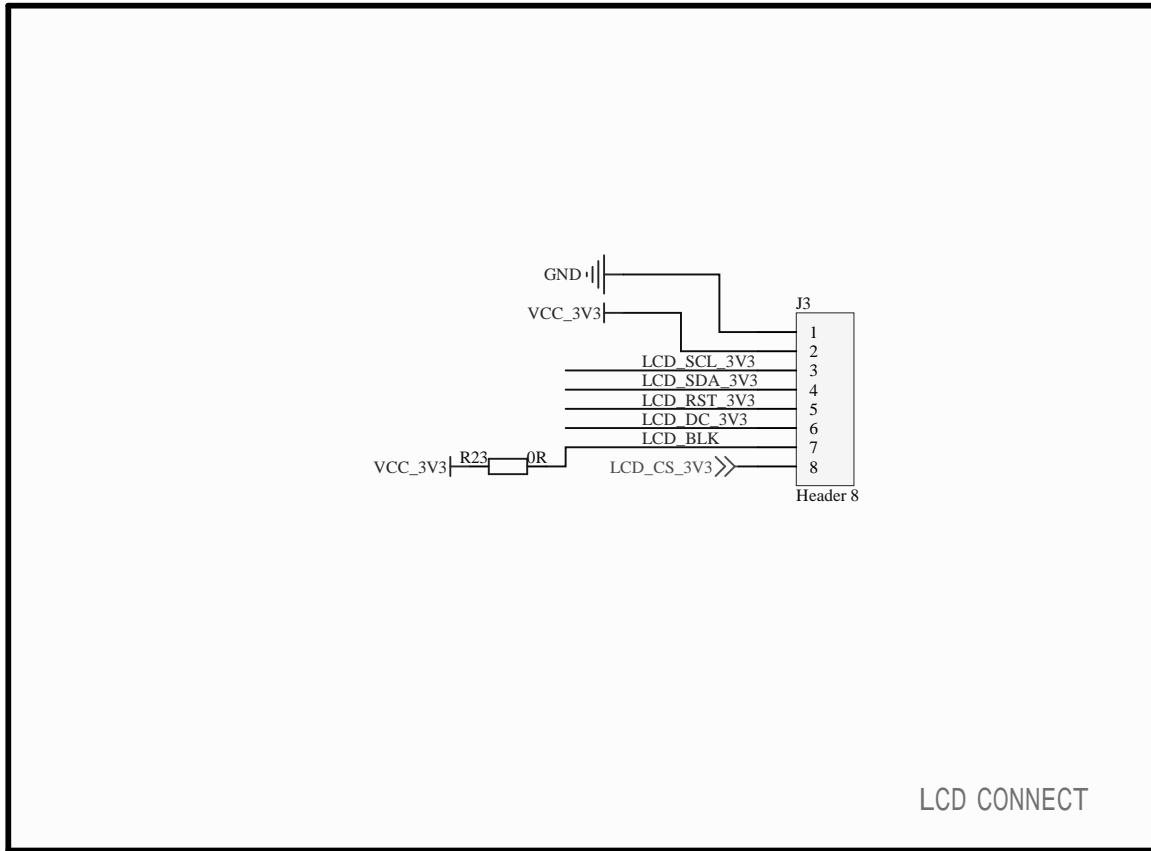
Title		
Size	Number	Revision
A4		
Date:	3-31-2023	Sheet of
File:	G:\...4.SIM-CARD.SchDoc	Drawn By:



AUDIO 分参

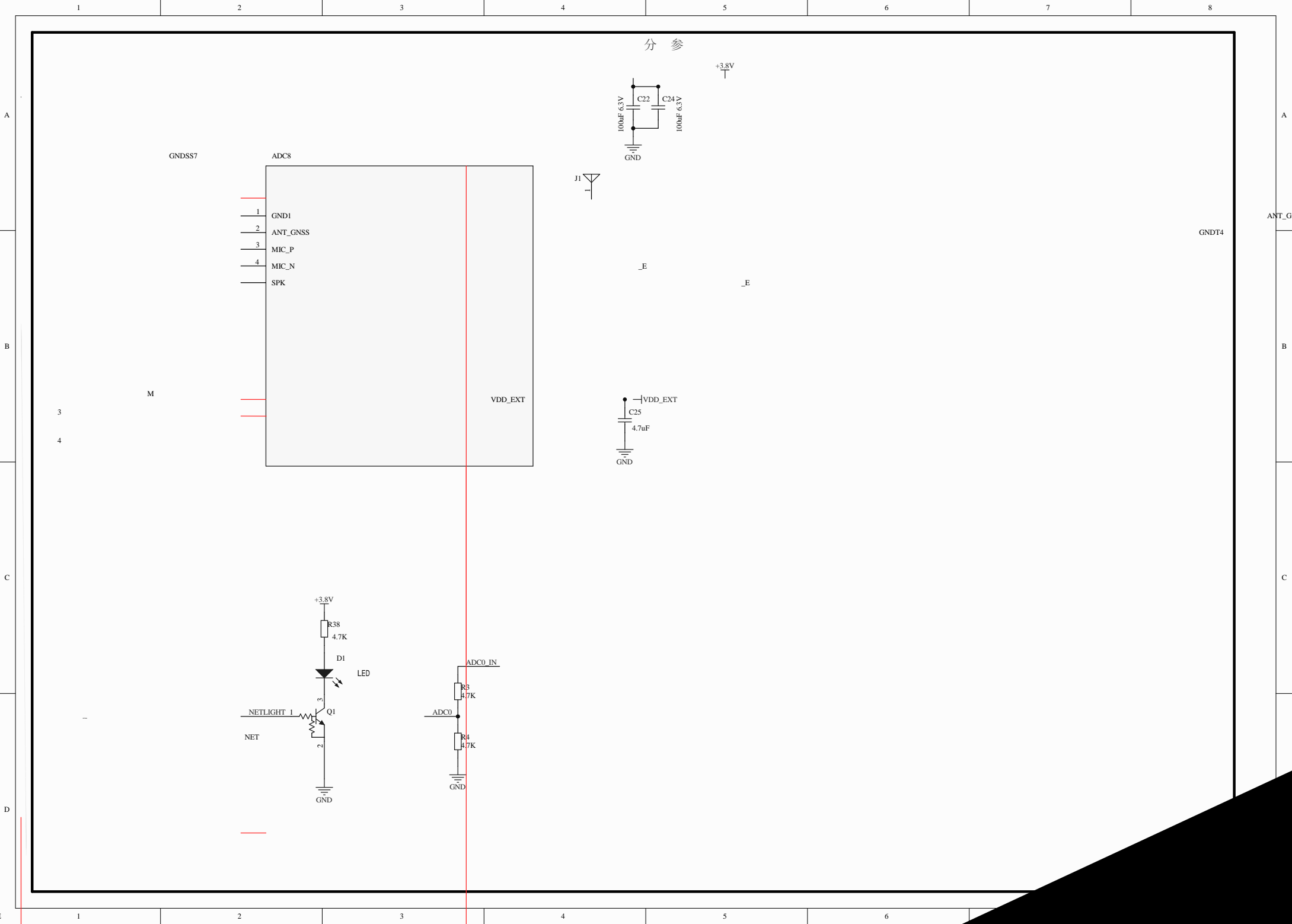
AUDIO

Title		
Size A4	Number	Revision
Date:	3-31-2023	Sheet of
File:	G:\...\5.AUDIO.SchDoc	Drawn By:



LCD CONNECT

Title		
Size A4	Number	Revision
Date:	3-31-2023	Sheet of
File:	G:\...\7.LCM.SchDoc	Drawn By:



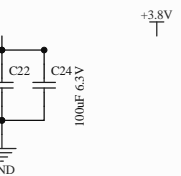
分 参

GNDSS7

ADC8

- 1 GND1
- 2 ANT_GNSS
- 3 MIC_P
- 4 MIC_N
- SPK

VDD_EXT

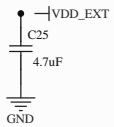


_E

_E

GNDT4

M



+3.8V

R38

4.7K

D1

LED

Q1

NETLIGHT 1

NET

GND

ADC0 IN

R3

4.7K

ADC0

R4

4.7K

GND

A

A

B

B

C

C

D

1

2

3

4

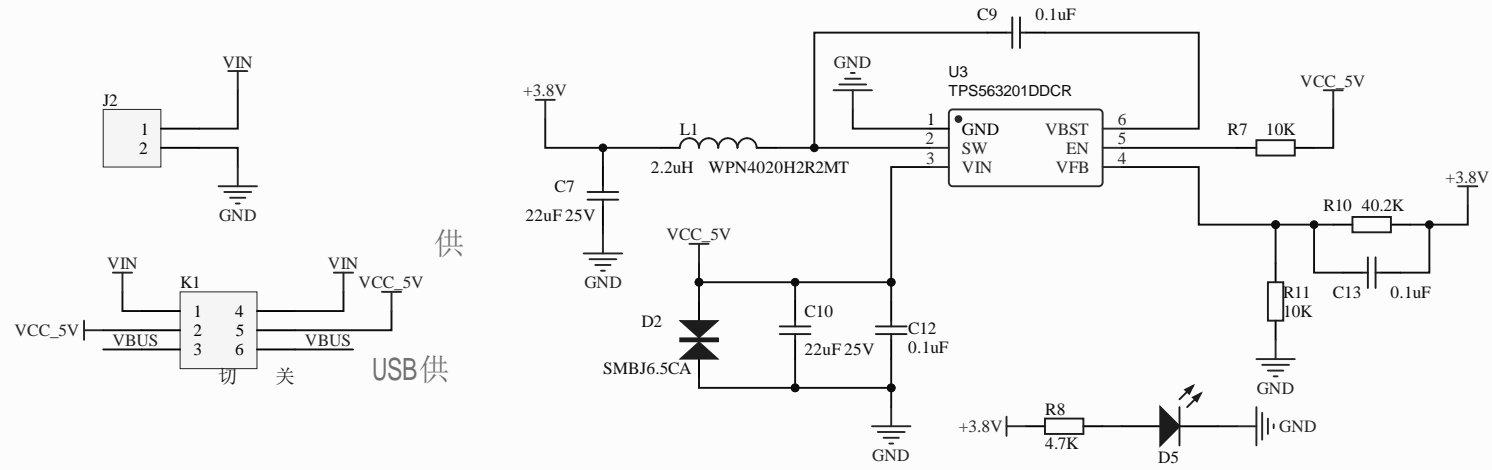
5

6

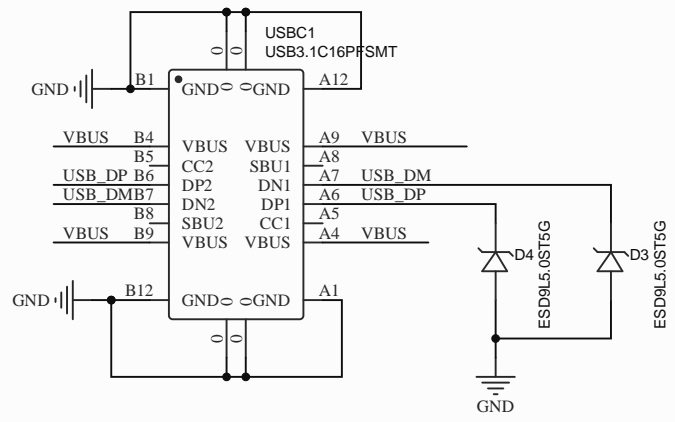
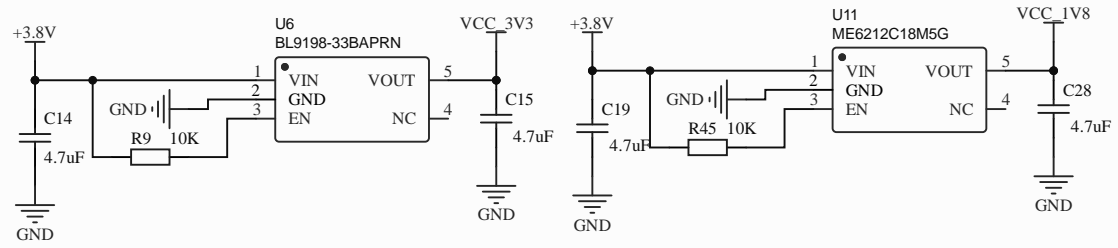
7

8

AXX



DCDC



type-C

1

2

3

4

A

A

B

B

C

C

D

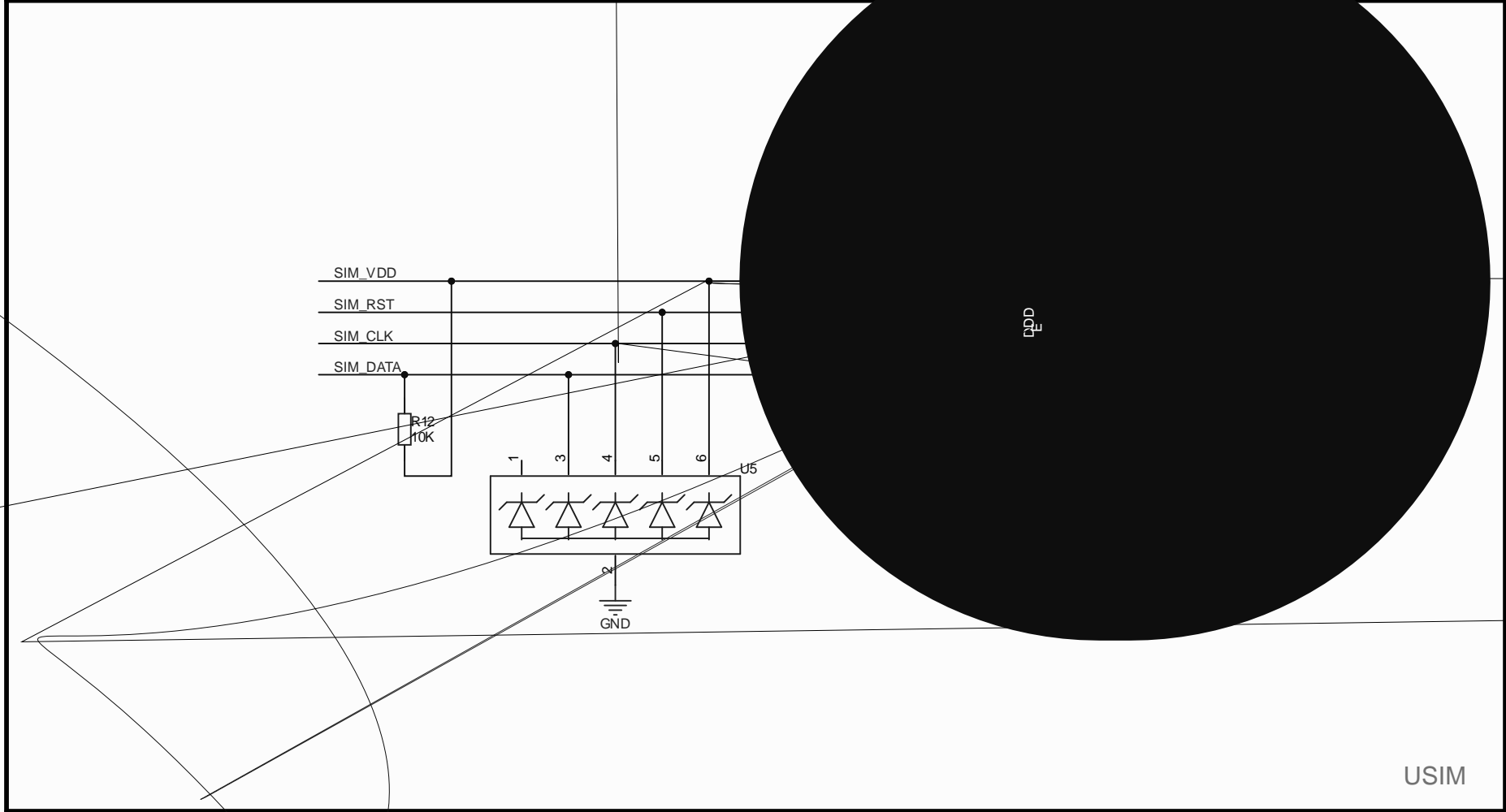
D

1

2

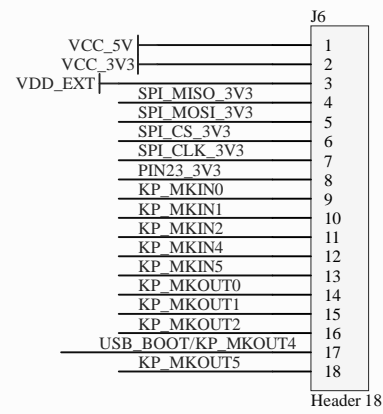
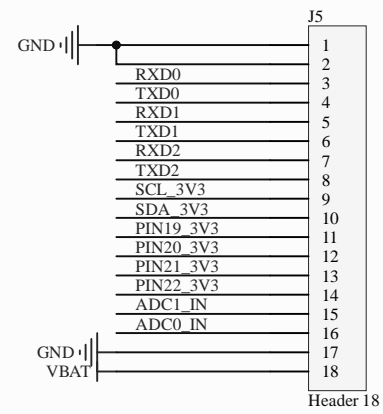
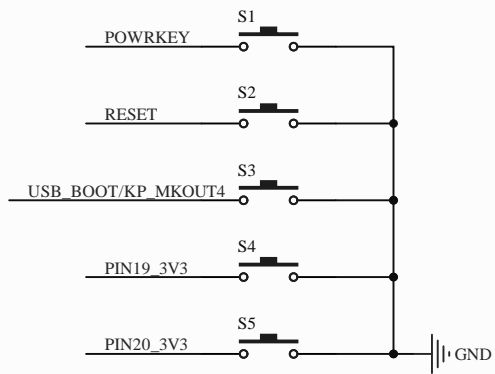
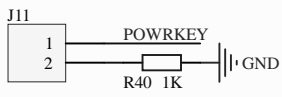
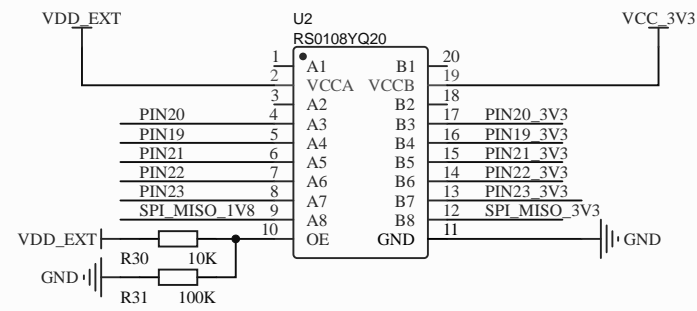
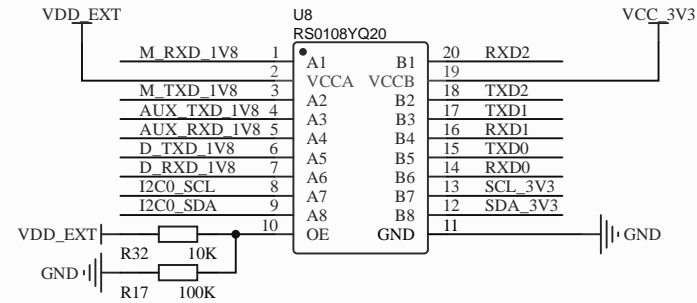
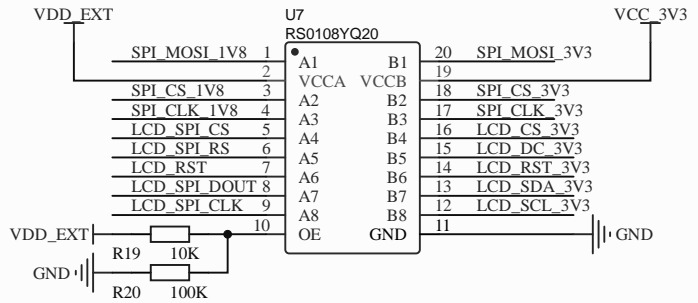
3

4



USIM

E



GPIO

1

2

3

4

A

A

B

B

C

C

D

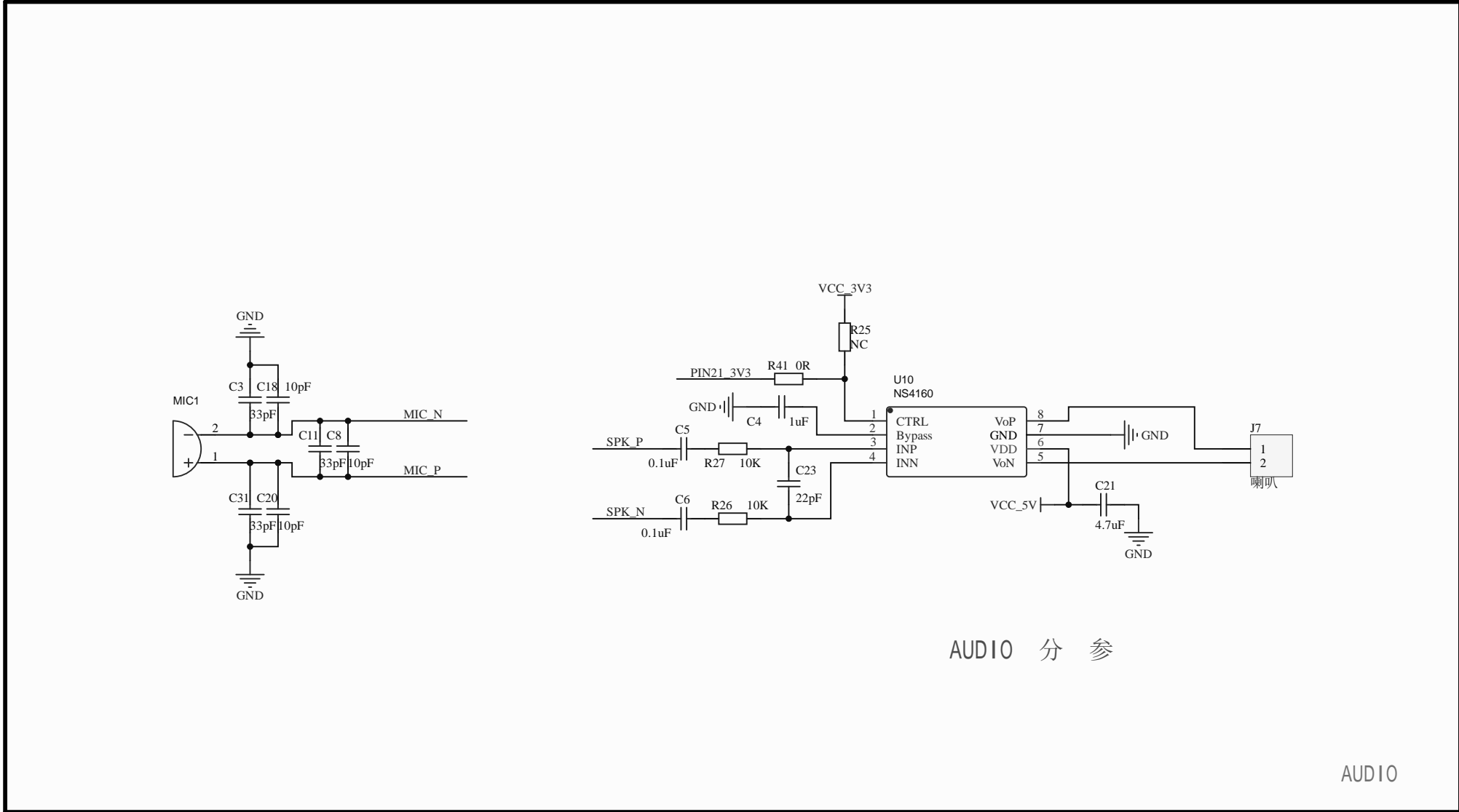
D

1

2

3

4



AUDIO 分 参

AUDIO

1

2

3

4

A

A

B

B

C

C

D

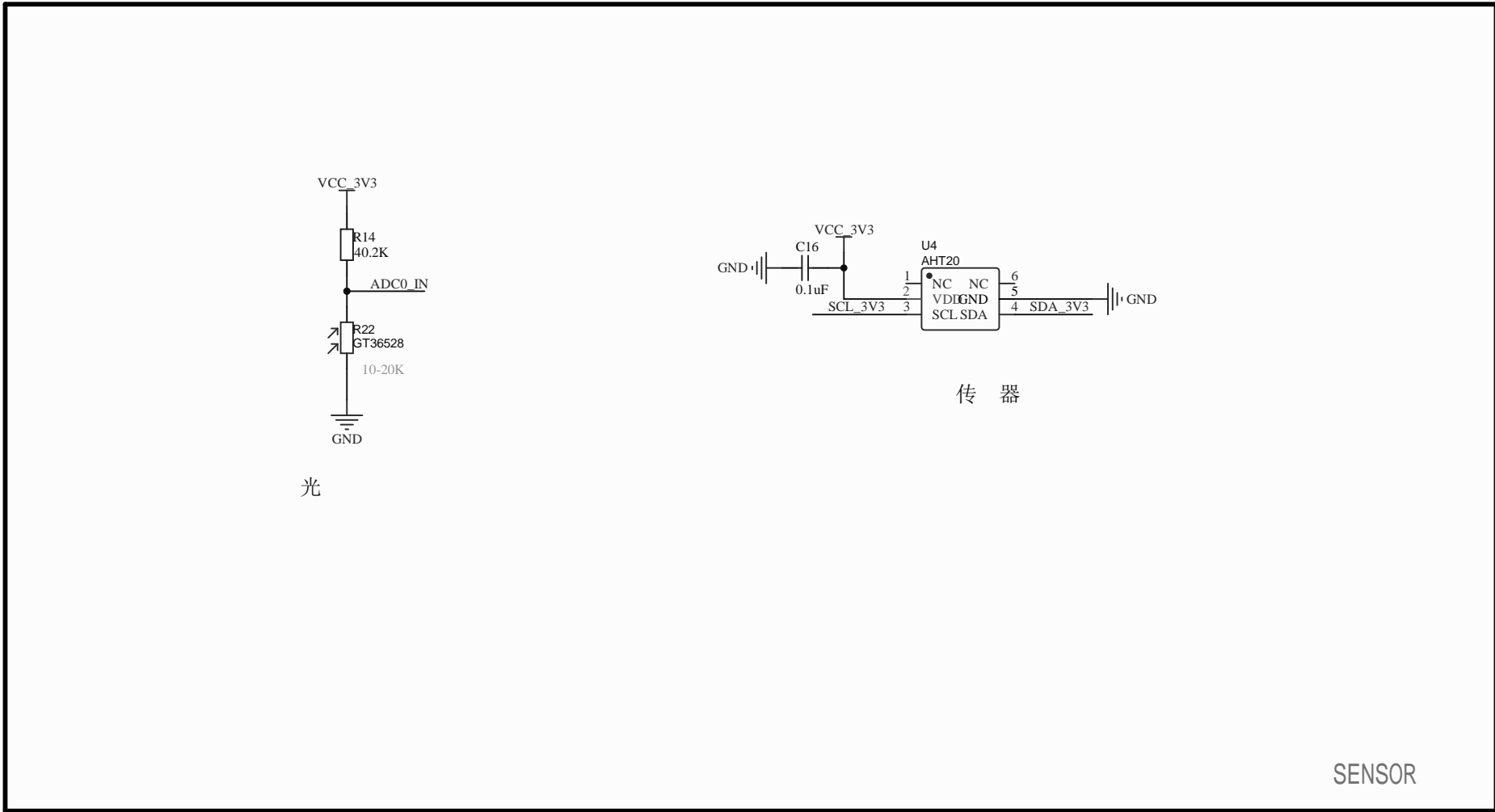
D

1

2

3

4



光

传感器

SENSOR

1

2

3

4

A

A

B

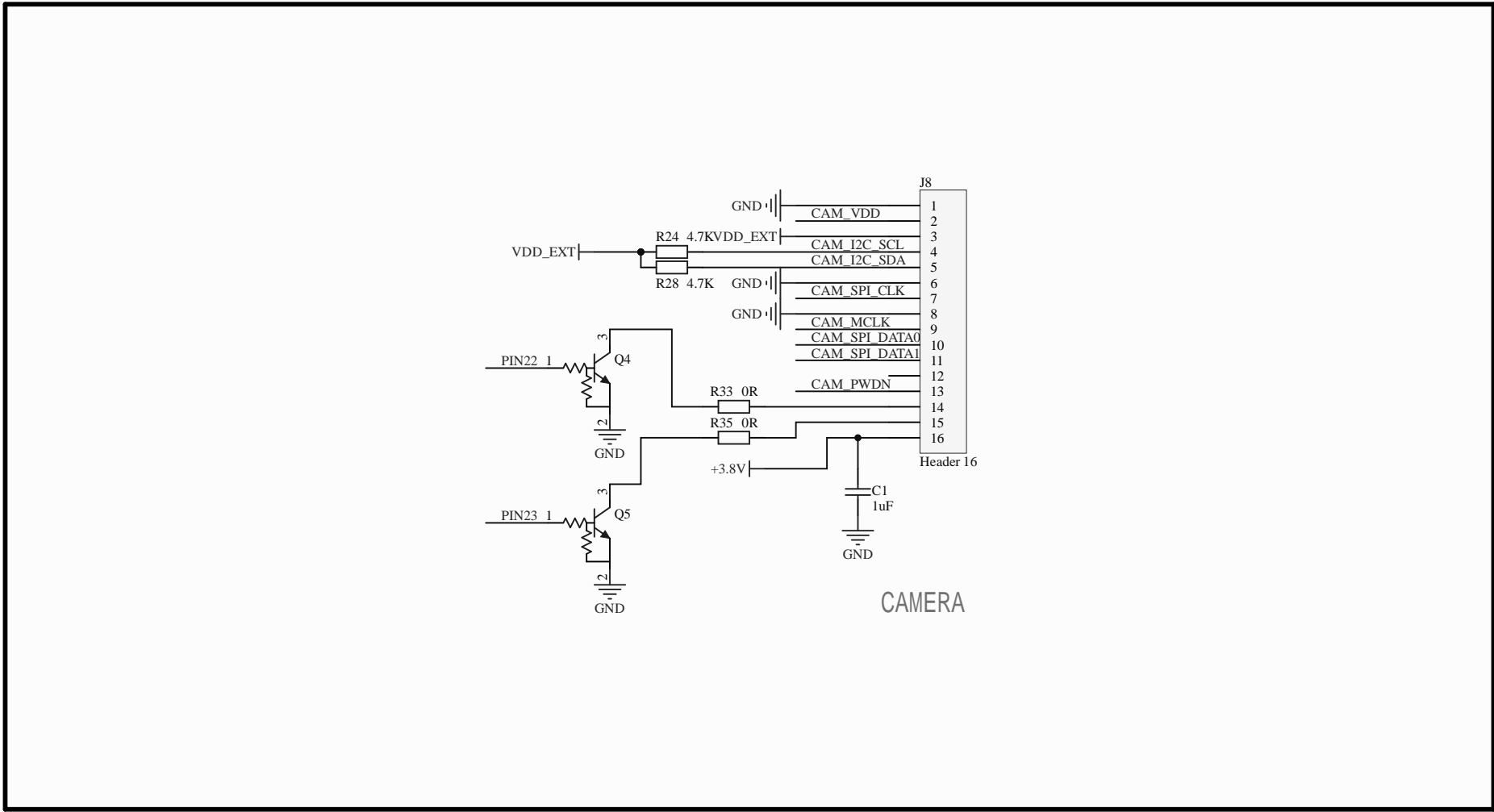
B

C

C

D

D



CAMERA

1

2

3

4

1

2

3

4

A

A

B

B

C

C

D

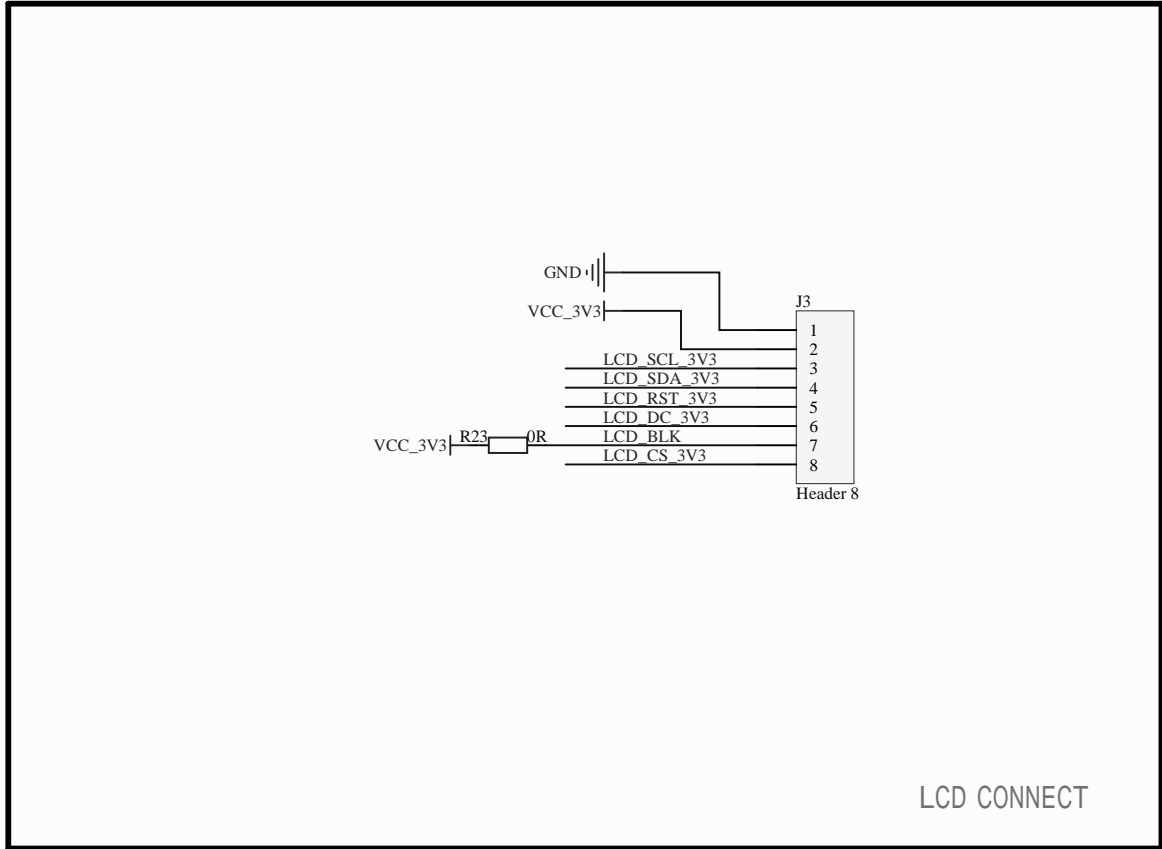
D

1

2

3

4



LCD CONNECT

1

2

3

4

A

A

B

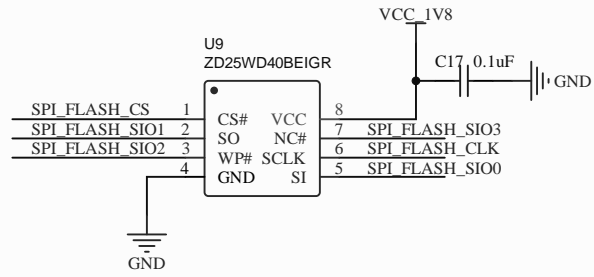
B

C

C

D

D



Flash

1

2

3

4